

## Lumistar Luminaire USL 05-LED

### • For mounting on sight glass fittings:

This sight glass luminaire is designed for universal applications and is ideal either in combined sight and light ports (single-flange version) or for separate ports (two-flange version).

### • Compact design, powerful light output:

Glare-free illumination; fits circular sight glass fittings similar to DIN 28120/DIN 28121, screw-type sight glass fittings similar to DIN 11851 as well as visual flow indicator fittings.

### • Generous light exit and optimised screwed lens aperture

### • Applications:

For illuminating the interiors of vessels, tanks, agitators, silos and other, generally closed, containers and reactors and also in visual flow indicators in non-explosive environments. Suitable for use in the food processing industry.

### • Protection class: dust-tight and water jet-proof, IP 65 in compliance with EN 60 529 / DIN VDE 0470, part 1

### • Operating conditions:

Independent of vacuum/pressure in the vessel. Under no circumstances should a sight glass luminaire be used as a substitute for the mating flange or instead of the complete sight glass flange assembly or on its own to close a vessel port.

### • Caution: Do not look into light – Danger of impaired eyesight!

### • Maximum admissible ambient temperature: 50°C

### • Straightforward installation using special attachment, ensuring convenience of use:

The luminaire is fixed to the mating flange by a hinged bracket in the case of circular sight glass fittings and visual flow indicators. With screw-type sight glass fittings, the luminaire is fastened to the slotted nut.

### • Lumistar luminaire USL 05-LED fits the following nominal sizes:

- Circular sight glass fitting similar to DIN 28120: from DN 25
- Circular sight glass fitting similar to DIN 28121: from DN 40
- Visual flow indicator: from DN 25
- Screw-type sight glass fitting similar to DIN 11851:
  - DN 65, DN 80 are mounted using a separate flange adapter
  - DN 80 and larger are mounted using a hinged bracket

### • Voltage type: AC/DC

### • Operating voltage:

24 V AC/DC – 7.5 W

230 V AC – 5.5 W

7.5 W: Colour temperature: 6500 K

Luminous flux: 475 lm

Beam angle: 40°

5.5 W: Colour temperature: 4000 K

Luminous flux: 400 lm

Beam angle: 25°

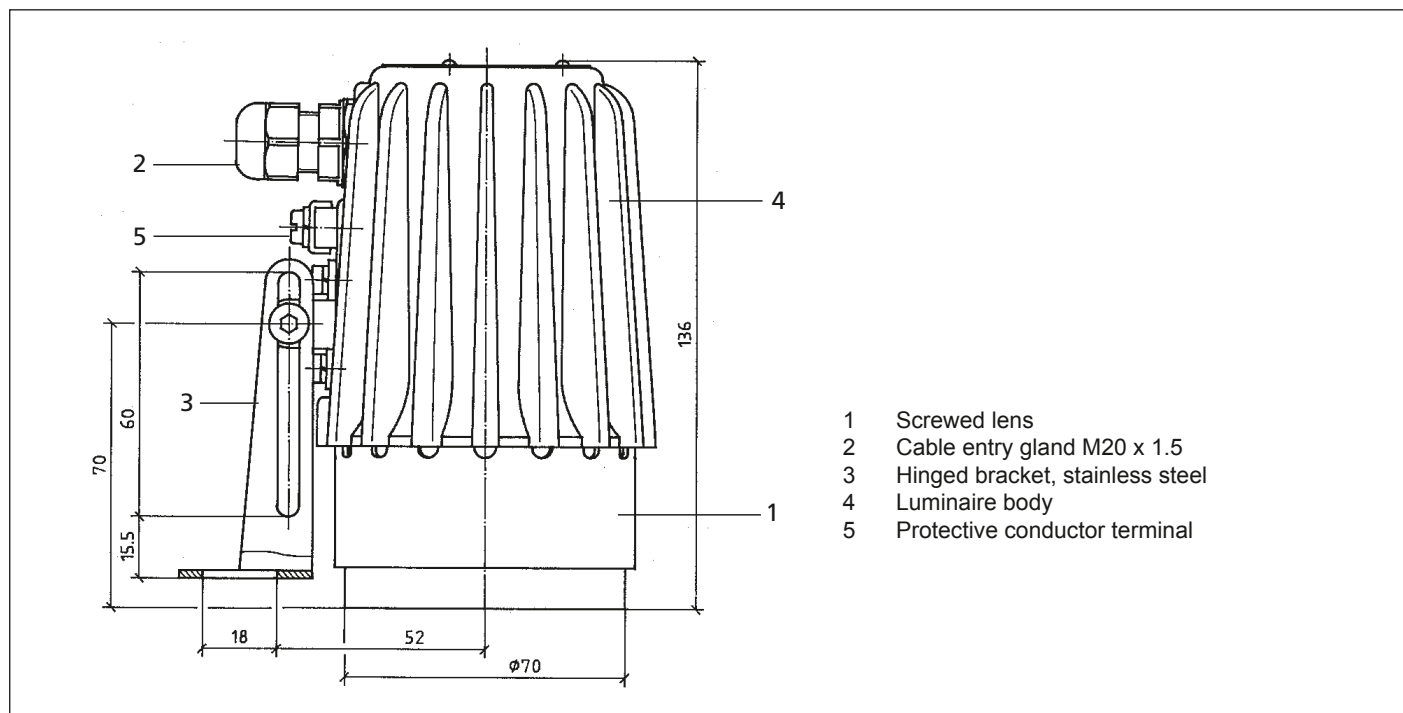
CE

3755.365 c



Lumistar luminaire USL 05-LED

• **Dimensions and electrical data for Lumistar luminaire USL 05-LED:**



• **Description and materials:**

- Luminaire body: Corrosion-resistant cast aluminium alloy, GK-ALSi10Mg
- Protective conductor terminal: Inner compartment of lamp is already terminated; additional protective conductor terminal on the outside of the enclosure
- Light aperture: Unit consisting of aluminium ring and glass lens with Viton seal
- Mounting parts: Stainless steel 1.4301 (see accessories)

• **Weight:** 0.8 kg

• **Connecting data:**

Lumistar luminaire USL 05-LED						Replacements LED		
No.	USL 05	Part no.	Nominal voltage V	Push-button	Timer	Voltage/output	Socket	Part no.
1	(24 V) 7.5 W	3541.831.00	24 ≈	without	without	LED module	-	3858.023.00
2	(24 V) 7.5 W	3541.832.00	24 ≈	with	without	LED module	-	3858.024.00
3	(230 V) 5.5 W	3540.047.00	230 ~	without	without	230 V	GZ10	3233.029.00
4	(230 V) 5.5 W	3541.961.00	230 ~	with	without	230 V	GZ10	3233.029.00

• **Accessories:**

No.	Component	Part no.
1	Hinged bracket, stainless steel, for mounting luminaire	0354.014.00
2	Flange adapter, stainless steel, for mounting luminaire	1356.010.00
3	Lumistar Timer (external) for time-dependent illumination	on request
4	Special spanner for screwed glass lens to open the luminaire	6816.001.00

• **Order data:** e.g. Lumistar luminaire USL 05-LED (24 V) 7.5 W, part no. 3540.831.00; with hinged bracket, part no. 0354.014.00