

## Lumistar Luminaire USL 07-LED

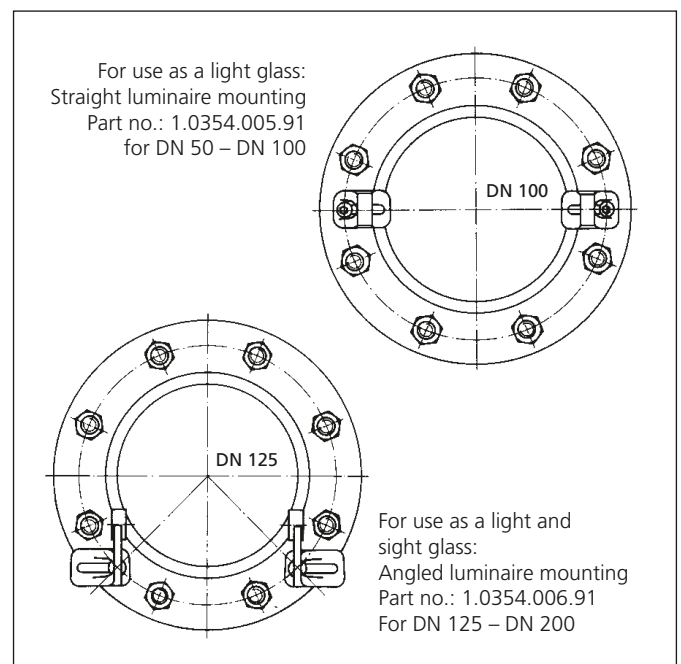
- For mounting on sight glass fittings:**  
 This sight glass luminaire is designed for universal applications and is ideal either in combined sight and light ports (single-flange version) or for separate ports (two-flange version).
- Compact design, powerful light output:**  
 Glare-free illumination; fits circular sight glass fittings similar to DIN 28120/DIN 28121, screw-type sight glass fittings similar to DIN 11851, as well as visual flow indicator fittings.
- Generous light exit and optimally designed screwed lens aperture**
- Application:**  
 For illuminating the interiors of vessels, tanks, agitators, silos and other generally closed containers and reactors and also in visual flow indicators.  
 Suitable for use in the food processing industry.
- Protection class:**  
 Dust-tight and water jet-proof,  
 IP 65 and IP 67 acc. to DIN EN 60529/DIN VDE 0470, part 1
- Operating conditions:**  
 Independent of internal vacuum/pressure in the vessel.  
 Under no circumstances should a sight glass luminaire be used as a substitute for the cover flange or instead of the complete sight glass flange assembly, or on its own to close a vessel port.
- Caution:** Do not look into light – Danger of impaired eyesight!
- Lumistar luminaires USL 07-LED are approved for use in ambient temperatures of up to 60°C.**
- Voltage type:** AC/DC, depending on type of luminaire
- Operating voltage:**  
 24 V AC/DC – 14 W  
 120-230 V AC – 14 W  
 Colour temperature: 5700 K  
 Luminous flux: max. 1150 lm
- Reflected beam angle:** 11° or 26°
- Convenient electrical connection with terminal compartment**  
 (cable length optional)
- Straightforward installation using special attachment:**  
 The luminaire is mounted with the lamp attachment on the cover flange in the case of circular sight glass fittings and visual flow indicators. With screw-type sight glass fittings, the luminaire is fastened to the slotted nut.
- The Lumistar luminaire USL 07-LED fits the following nominal sizes:**
  - Circular sight glass fitting similar to DIN 28120: from DN 50
  - Circular sight glass fitting similar to DIN 28121: from DN 80
  - Visual flow indicator: from DN 50
  - Screw-type sight glass fitting similar DIN 11851:
    - DN 100, DN 125 are mounted using the separate flange adapter
    - DN 150 and larger are mounted by way of the lamp attachment

CE

3755.367 a

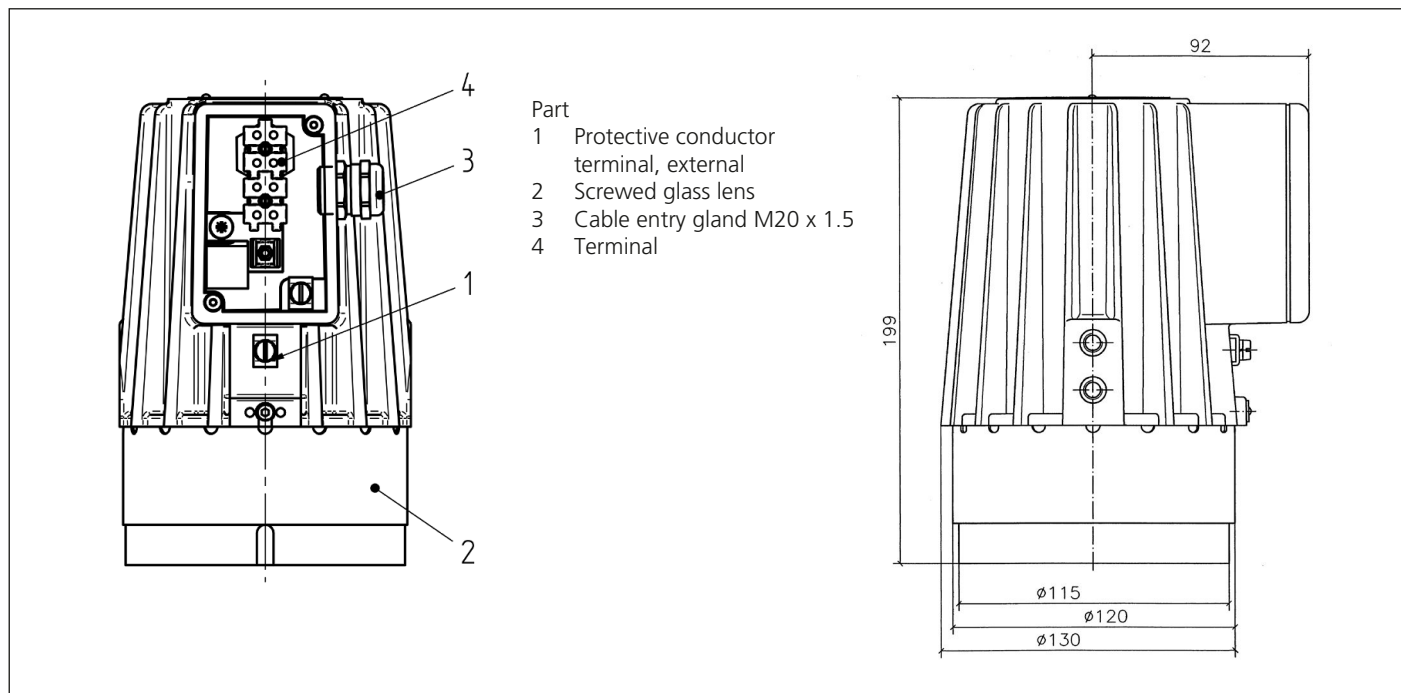


Lumistar luminaire USL 07-LED with terminal box



Combination options

## • Dimensions and electrical data for Lumistar luminaire USL 07-LED:



## • Description and materials:

- Luminaire body: Corrosion-resistant cast aluminium alloy, GK-ALSi10Mg
- Protective conductor terminal: Inner compartment of lamp is already terminated; additional protective conductor terminal on the outside of the enclosure
- Light aperture: Unit consisting of aluminium ring and glass lens with Viton seal
- Mounting parts: G-Al Si 10 Mg (see accessories)

## • Weight (incl. terminal box): 3.9 kg

## • Connection data:

USL 07-LED Variant	Part no.	Nominal voltage V	Illuminant	Reflected beam angle
(24 V) 14 W	3541.287.00	24 ≈	LED	11°
(120-230 V) 14 W	3541.288.00	120-230 ≈	LED	11°
(24 V) 14 W	3541.293.00	24 ≈	LED	26°
(120-230 V) 14 W	3541.294.00	120-230 ≈	LED	26°

## • Order data:

e.g. Lumistar luminaire USL 07-LED, 230 V/14 W, part no. 3541.288.00; with luminaire attachment, part no. 0354.005.00

## • Accessories:

No.	Part	Part no.
1	hinged bracket for mounting luminaire, straight, DN 50 to 100	0354.005.00
2	hinged bracket for mounting luminaire, straight, DN 125 to 200	0354.006.00
3	special spanner for screwed glass lens for opening the luminaire	6805.002.00