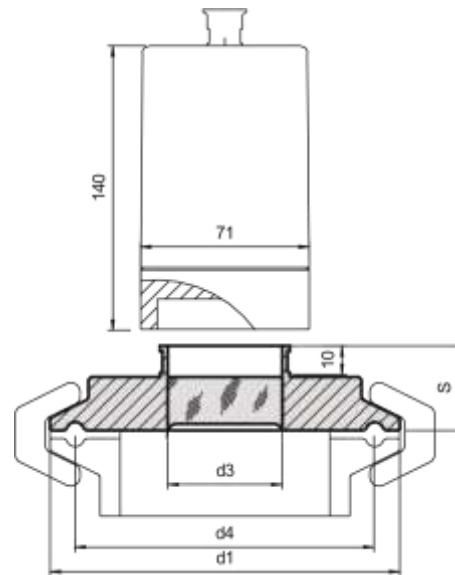


Type 80.ESL25

METACLAMP® Sight Glasses for Use with Clamp Connections and Sight Glass Luminaires ESL25



Applications

- Clamp style nozzles
- For ESL25-Sterile, ESL55, ASL55 light fitting

Advantages

- Compact construction
- Aseptic design
- Powerful illumination
- Security against total failure
- Long operating time
- Use in Ex hazardous process areas

Operating conditions

- Pressure: -1 to 16 bar
- Temperature: see table

Ring materials	Operating temperature
1.4462	-30°C to +280°C
2.4602	-60°C to +300°C
2.4610	-60°C to +300°C

Technical data

Manufactured and tested to:

- Directive for pressure equipment 97/23/EG 02/98, Module H (DIN/EN/ISO 9001)
- AD2000 Standards W0/TRD 100
- Sight glass fused to metal conforming to DIN 7079
- Materials to VdTÜV specifications and the DIN/EN designated standards
- Glass: Borosilicate to DIN 7080 / DIN 7079

Material certificates

- Certificate of Conformity EN 10204 – 3.1 or 3.2 for extra costs

Sight glass luminaire Type ESL 25 Ex

- **ATEX stainless steel luminaire**
- Ex II 2G EEx d II C T4 / T5 / T6
- Electric supply AC or DC
- Supply voltage 12, 24, 120 or 230V
- Rating 5, 10 or 20W depending on luminaire model
- Ambient temperatures up to 60°C
- IIC (all explosion groups)
- Ignition protection EEx d"pressure tight encapsulation" DIN EN 50 018
- EC type test certification DMT 98 ATEX E 039 X
- Dust and waterjet tight IP65 to EN60529/DIN VDE 0470 part 1
- (for more information see data sheet 07.25)

Nominal size			d1	d3	d4	S	Max operating pressure [bar]
DIN	ISO	ASME BPE					
25/32/40	15/20/25	1", 1½"	50,5	28	43,5	24	16
50	32/40	2"	64	35	56,5	25	16
-	50	2½"	77,5	35	70,5	25	16
65	65	3"	91	40	83,5	25	10
80	80	3½"	106	42	97,0	25	10
100	-	4"	119	42	110,0	25	10