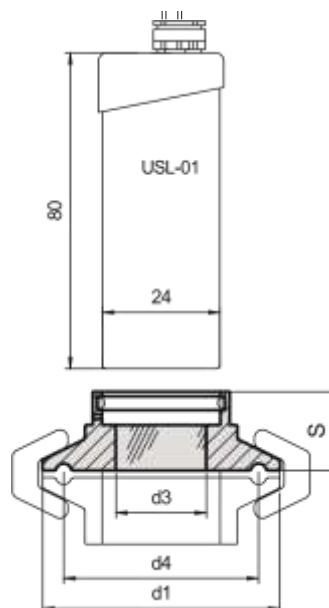


Type 80.USL01

METACLAMP® & Mini USL01 Luminaire



Applications

- Compact sanitary combination of miniature stainless steel Lumiglas USL-01 light with the proven Metaclamp sanitary mounting system. Providing up to 20 watts of intense glare free illumination through a Metaglas safety glass lens.

Sanitary Metaclamp Materials

- Duplex Stainless Steel (1.4462)
- Hastelloy C-22 (2.4602)
- Hastelloy C-4 (2.4610)

Material certificates

- Certificate of Conformity to EN 10204-3.1 or 3.2 for extra costs

Operating conditions

- Pressure: -1 to 16 bar
 - Temperature: see table
- Temperature: (With light) up to 90°C

Ring materials	Operating temperature
1.4462	-30°C to +280°C
2.4602	-60°C to +300°C
2.4610	-60°C to +300°C

Technical data

Manufactured and tested to:

- Directive for pressure equipment 97/23/EG 02/98, Module H (DIN/EN/ISO 9001)
- AD2000 Standards W0/TRD 100
- Sight glass fused to metal conforming to DIN 7079
- Materials to VdTÜV specifications and the DIN/EN designated standards
- Glass: Borosilicate to DIN 7080 / DIN 7079

Advantages

- Miniature space saving design
- Suitable for food processing (A3-Standard)
- Dust and water jet resistant (IP65) even during external washdown
- Fast & simple installation with no risk of breakage
- Very high resistance to impact
- Sight glass resistant to catastrophic failure

Light Mini-Lumiglas Stainless Steel

- Supply Voltage: 24V AC or DC
- Output: 5W (without built in push button)
20W (with built in push button)
- Housing: stainless steel DIN 1.4301 or similar
- Power cable: 3 m
- Bulb life: Over 2500 hours
- Dust and water-jet proof IP65 & EN60 529/DIN VDE 0470 part 1

Nominal size			d1	d3	d4	S	Pressure rating [bar]
DIN	ISO	Zoll					
-	8/10	½", ¾"	25	10	18,0	28	16
10/15/20	-	-	34	14	27,5	28	16
25/32/40	15/20/25	1", 1½"	50,5	22	43,5	22	16
50*	32/40*	2" *	64	23	56,5	22	16

* sight glass fitting type USL33 recommended

Herberts Industrieglas GmbH & Co. KG
Gewerbeschulstraße 72
D-42289 Wuppertal

Tel: +49-202-25902-11
Fax: +49-202-597837
www.metaglas.com

info@metaglas.com
metaglas@t-online.de