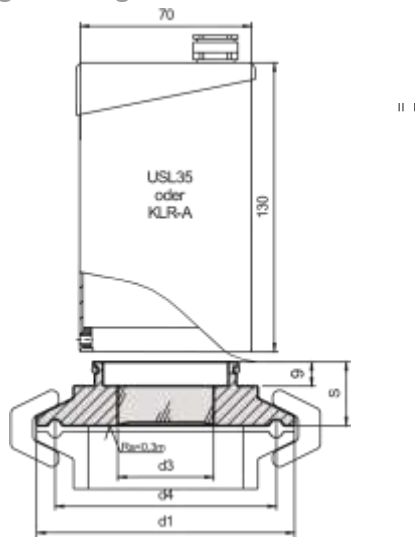


Type 80.USL35

METACLAMP® Sanitary Metaclamp and Light Fitting USL35 or KLR-A



Applications

- Powerful stainless steel Lumiglas USL-35 light with the proven Metaclamp sanitary mounting system. This compact combination can be mounted directly to any vessel or pipeline and provides up to 100 watts of intense glare free illumination through a Metaglas safety glass lens. Lights are available with an optional push button momentary on/off switch

Material certificates

- Certificate of Conformity to EN 10204-3.1 or 3.2 for extra costs

Sanitary Metaclamp Materials

- Duplex Stainless Steel (1.4462)
- Hastelloy C-22 (2.4602)
- Hastelloy C-4 (2.4610)

Operating conditions

- Pressure: -1 to 10 bar
- Temperature: see table
- Temperature: (With light) up to 90°C

| Ring materials | Operating temperature |
|----------------|-----------------------|
| 1.4462 | -30°C to +280°C |
| 2.4602 | -60°C to +300°C |

| Nominal size | | | d1 | d3 | d4 | S | Max operating pressure [bar] |
|--------------|----------|----------|------|----|-------|----|------------------------------|
| DIN | ISO | ASME BPE | | | | | |
| 25/32/40 | 15/20/25 | 1", 1½" | 50,5 | 28 | 43,5 | 21 | 16 |
| 50 | 32/40 | 2" | 64 | 32 | 56,5 | 25 | 16 |
| - | 50 | 2½" | 77,5 | 35 | 70,5 | 21 | 16 |
| 65 | 65 | 3" | 91 | 45 | 83,5 | 22 | 10 |
| 80 | 80 | 3½" | 106 | 50 | 97,0 | 22 | 10 |
| 100 | - | 4" | 119 | 51 | 110,0 | 23 | 10 |
| 125 | 125 | 5½" | 155 | 51 | 146,0 | 25 | 10 |
| - | - | 6" | 167 | 52 | 156,5 | 27 | 10 |

Technical data

Manufactured and tested to:

- Directive for pressure equipment 97/23/EG 02/98, Module H (DIN/EN/ISO 9001)
- AD2000 Standards W0/TRD 100
- Sight glass fused to metal conforming to DIN 7079
- Materials to VdTÜV specifications and the DIN/EN designated standards
- Glass: Borosilicate to DIN 7080 / DIN 7079

Advantages

- Powerful illumination
- Minimal crevices for sanitary applications
- Suitable for food processing (A3-Standard)
- Dust and water jet resistant (IP65) even during external washdown
- Fast & simple installation with no risk of breakage
- Wide range of voltages available
- Very high resistance to impact
- Sight glass resistant to catastrophic failure

Light Type USL-35 (none Ex)

- Supply Voltage 24V, 120V or 230V, AC or DC
- Output: 20W (without built in push button)
- 100W (with built in push button)
- Housing Stainless steel DIN 1.4301 or similar
- Power cable 3 m
- Bulb life: Over 2500 hours
- Dust and water-jet proof IP65 & EN60 529/DIN VDE 0470 part 1