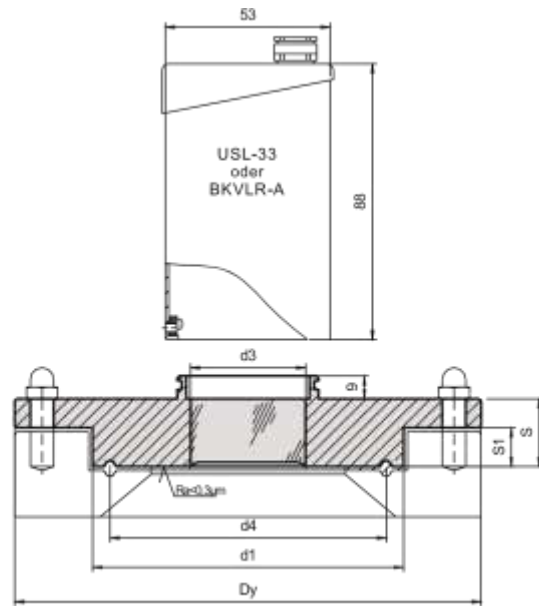


## Type 99.NA.USL33

METAGLAS® Fitting & USL33 Luminaire for NA-Connect®



### Applications

- Sanitary combination of the stainless steel Lumiglas USL-33 light and Metaglas to fit the flush mount NA-Connect system. Providing up to 50 watts of intense glare free illumination through a Metaglas safety glass lens.

### Advantages

- Compact
- Suitable for food processing
- (3-A Standard)
- Dust and water jet resistant (IP65) even during external washdown
- Simple & fast installation with no risk of breakage
- Sight glass resistant to catastrophic failure
- Luminaires available with an optional push button momentary on/off switch

### Operating conditions

- Temperature: (With light) up to 90°C
- Pressure: Up to 7 bar

Ring materials      Operating temperature

1.4462	-30°C to +280°C
2.4602	-60°C to +300°C
2.4610	-60°C to +300°C

### Technical data

Manufactured and tested to:

- Directive for pressure equipment 97/23/EG 02/98, Module H (DIN/EN/ISO 9001)
- AD2000 Standards W0/TRD 100
- Sight glass fused to metal conforming to DIN 7079
- Materials to VdTÜV specifications and the DIN/EN designated standards
- Glass: Borosilicate to DIN 7080 / DIN 7079

### Material certificates

- Certificate of Conformity to EN 10204-3.1 or 3.2

### Light Type USL-33 oder BKVLR-A (none Ex)

- Supply Voltage: 24V AC or DC
- Output: 20W (without built in push button)  
50W (with built in push button)
- Housing: Stainless steel DIN 1.4301 or similar
- Power cable: 3 m
- Bulb life: Over 2500 hours
- Dust and water-jet proof IP65 & EN60 529/DIN VDE 0470 part 1

### NA-Connect™

- For connector NA-Connect dimensions and technical data please request data sheet NAC00-S

Nominal size DIN			PN	d1	d3	d4	S1	S	Dy
25/32/40	15/20/25	1½" / 1"	7	50,5	30	43,5	7	13	85
50	32/40	2"	7	64,0	35	56,5	8	14	100
	50	2½"	7	77,5	40	70,5	8	17	112
65	65	3"	7	91,0	45	83,5	8	18	131
80	80	3½"	7	106,0	60	97,0	8	18	140
100	-	4"	7	119,0	65	110,0	7,5	19	170

\*Recommended Metaglas & Luminaire USL-35