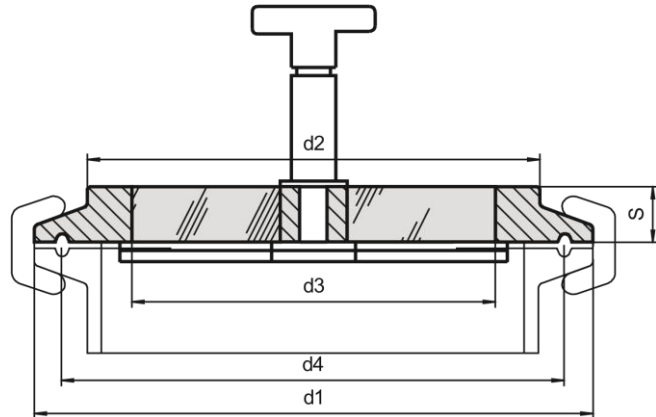


## Type 80.SL.W

METACLAMP® with Wiper for Triclamp Fitting

Sodalime Glass



### Applications

- For clamp fittings to  
DIN 32 676 / ISO 2852

### Advantages

- Compact construction
- Security against total fail
- Fast & simple installation & maintenance
- Long operating time
- Big glass diameter

### Operating conditions

- Pressure: -1 to 10 bar
- Temperature: up to 150°C

### Technical data

Manufactured and tested to:

- Directive for pressure equipment 2014/68/EU, Module H (DIN/EN ISO 9001)
- AD 2000 Standards W0/TRD 100
- sight glass fused to metal conforming to DIN 7079
- Materials to VdTÜV specifications and the DIN/EN designated standards
- Glass: B270 (sodalime glass)

### Materials

- Ring: Duplex stainless steel 1.4462, Hastelloy C-22
- Fused bush: Alloy 36 (DIN 1.3912)

### Material certificates

- Certificate of Conformity to EN 10204-3.1

### Accessories

#### Wiper

- Wiper blade: PTFE or silicon-rubber
- Contact metal stainless steel: V4A

Nominal size			d1	d2	d3	d4	S	max. operating pressure [bar]
DIN	ISO	ASME BPE						
65	65	3"	91	76	55	83,5	14	10
80	80	3½"	106	90	60	97,0	15	10
100	–	4"	119	102,5	75	110,0	18	10
–	–	6"	167	152	105	156,5	22	6