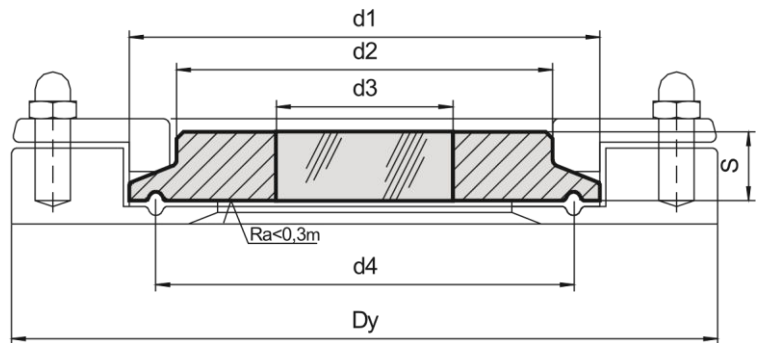


Type 80.NA

METACLAMP® for Flush Mounted NA-Connect™ Fitting



Overview

- Type 80.NA Metaclamp is designed to fit the flush-mounted NA-Connect system to offer clear process visibility and unmatched safety with easy cleaning and sterilization.
- The NA-Connect sight glass eliminates the dead leg created by a standard sanitary ferrule connection avoiding air pockets and trapped undissolved material.

Advantages

- Suitable for aseptic pharmaceutical and food applications (3-A Standard)
- Easy validation of connection for sterilization and cleaning
- Extremely compact construction
- Simple installation and maintenance
- Glass resistant to catastrophic failure
- Long working time

Ring materials Operating temperature

| | |
|--------|-----------------|
| 1.4462 | -30°C to +280°C |
| 2.4602 | -60°C to +300°C |
| 2.4610 | -60°C to +300°C |

Technical data

Manufactured and tested to:

- Directive for pressure equipment 2014/68/EU, Module H (DIN/EN/ISO 9001)
- AD2000 Standards W0/TRD 100
- Sight glass fused to metal conforming to DIN 7079
- Materials to VdTÜV specifications and the DIN/EN designated standards
- Glass: Borosilicate to DIN 7080 / DIN 7079

Material certificates

- Certificate of Conformity to EN 10204-3.1 or 3.2

Zulassungen

- ASM BPE

Operating conditions

- Temperature: (With light) up to 90°C
- Pressure: Up to 7 bar

For connector NA-Connect dimensions and technical data please request data sheet NAC00-S

| Nominal size | | | PN | d1 | d2 | d3 | d4 | S | Dy |
|--------------|----------|----------|----|-------|------|----|------|----|-----|
| DIN | ISO | ASME BPE | | | | | | | |
| – | 8/10 | ½" / ¾" | 25 | 25,0 | 18 | 10 | 20,4 | 10 | 55 |
| 10/15/20 | – | – | 25 | 34,0 | 18 | 10 | 27,5 | 8 | 70 |
| 25/32/40 | 15/20/25 | 1½" / 1" | 16 | 50,5 | 38 | 25 | 43,5 | 10 | 85 |
| 50 | 32/40 | 2" | 16 | 64,0 | 52 | 30 | 56,5 | 10 | 100 |
| – | 50 | 2½" | 16 | 77,5 | 63,5 | 35 | 70,5 | 10 | 112 |
| 65 | 65 | 3" | 10 | 91,0 | 76 | 40 | 83,5 | 10 | 131 |
| 80 | 80 | 3½" | 10 | 106,0 | 90 | 50 | 97,0 | 10 | 140 |
| 100 | – | 4" | 10 | 119,0 | 101 | 55 | 110 | 12 | 170 |
| – | 100 | 4½" | 10 | 130,0 | 114 | 60 | 122 | 16 | 170 |