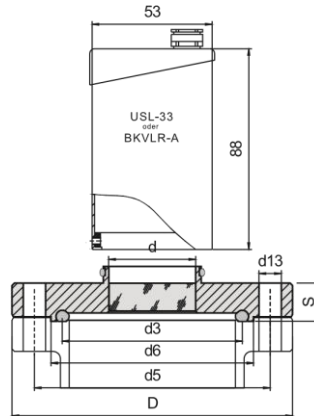


Type 84.USL33

METAGLAS® Sight Glass for Aseptic Flanged Pipe Connection DIN 11864-2
for Luminaires USL33 or BKVLR-A



Advantages

- Security against total failure
- Sight glass and sealing profile correspond to recommendations of EHEDG (European Hygienic Equipment Design Group) and to ASME BPE (Bioprocessing Equipment)
- Long operating time
- Flush seal against atmospheric side
- Suitable for CIP and SIP cleaning
- Complies with GMP for clean condition, cleaning, sterilization

Applications

- Sterile duty fitting to DIN 11864 part 2 form A
- Version with raised lip for installation on recessed face sterile duty flange form A

Technical data

- Directive for Pressure equipment 2014/68/EU, Module H (DIN/EN/ISO 9001)
- AD 2000 Standards W0/TRD 100
- Materials to VdTÜV specifications and the DIN/EN designated standards
- Glass: Borosilicate to DIN 7080 / DIN 7079

Material certificates

- Certificate of conformity EN 10204-3.1 or 3.2

Sight glass light USL-33 or BKVLR A (non Ex)

- Supply voltage: 24 V AC or DC
- output: 20W (without built in push button)
- 50W (with built in push button)
- housing: stainless steel 1.4301 or similar
- operating time: more than 2.500 hours

Ring materials	Operating temperature
1.4462	-30°C to +280°C
2.4602	-60°C to +300°C
2.4610	-60°C to +300°C

Nominal size DN			max. operating pressure	D	d	d3	d5	d6	d13	S	O-Ring
Series A DIN 11850	Series B ISO 1127	Series C ISO 2037 BS 4825									
25	–	–	16	70	25	30,90	53	38,3	4 x Ø9	14	28 x 3,5
–	33,7	–	16	74	25	36,35	57	45,3	4 x Ø9	14	32 x 5
32	–	–	16	76	25	38,65	59	47,6	4 x Ø9	14	34 x 5
–	–	1½"	16	79	30	41,45	62	50,4	4 x Ø9	14	37 x 5
40	–	–	16	82	30	44,65	65	53,6	4 x Ø9	14	40 x 5
–	42,3	–	16	82	30	45,05	65	53,6	4 x Ø9	14	40,5 x 5
–	48,3	–	16	88	35	50,86	71	59,9	4 x Ø9	14	46,5 x 5
–	–	2"	16	92	35	54,36	75	63,4	4 x Ø9	16	50 x 5
50	–	–	16	94	35	56,56	77	65,6	4 x Ø9	16	52 x 5
–	60,3	–	16	103	35	62,86	85	71,9	4 x Ø9	16	58,5 x 5
–	–	2½"	16	107	35	66,76	89	75,8	8 x Ø9	18	62 x 5
65	–	–	16	113	35	72,56	95	81,6	8 x Ø9	18	68 x 5
–	76,1	–	16	125	35	78,06	104	88,1	8 x Ø11	20	73,5 x 5
–	–	3"	16	125	35	79,46	104	89,5	8 x Ø11	20	75 x 5
80	–	–	16	133	35	87,56	112	97,6	8 x Ø11	20	83 x 5
–	88,9	–	16	137	35	90,86	116	100,9	8 x Ø11	20	86,5 x 5