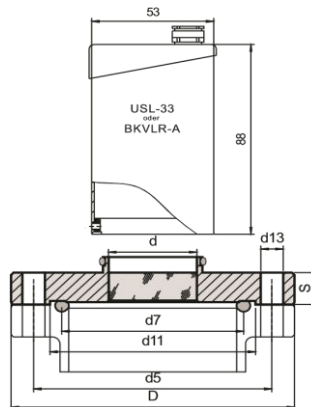


Type 84.BF.USL33

METAGLAS® Sight Glass for aseptic flanged pipe connection DIN 11864-2

For sight glass luminaire type USL33 or BKVLR-A

(flange with notch)



Applications

- Sterile fitting to DIN 11864 part 2 form A
- Aseptic groove flange model for installation on aseptic round flange form A

Advantages

- Sight glass and sealing profile correspond to EHEDG (European Hygienic Equipment Design Group) and ASME BPE (Bioprocessing Equipment)
- Security against total fail
- Long operating time
- Suitable for CIP and SIP cleaning
- Complies with GMP for clean condition, cleaning, sterilization

Ring materials Operating temperature

1.4462	-30°C to +280°C
2.4602	-60°C to +300°C
2.4610	-60°C to +300°C

Technical data

Manufactured and tested to:

- Directive for pressure equipment 2014/68/EU, Module H (DIN/EN/ISO 9001)
- AD 2000 Standards W0/TRD 100
- Sight glass fused to metal conforming to DIN 7079
- Materials to VdTÜV specifications and the DIN/EN designated standards
- Glass: Borosilicate to DIN7080 / DIN7079

Material certificates

- Certificate of conformity EN 10204-3.1 or 3.2

Sight glass light USL-33 or BKVLR A (non Ex)

- Supply voltage: 24 V AC or DC
- output: 20W (without built in push button)
- 50W (with built in push button)
- housing: stainless steel 1.4301 or similar
- operating time: more than 2.500 hours

Nominal size DN			max. operating pressure	D	d	d7	d5	d11	d13	S	O-Ring
Series A DIN 11850	Series B ISO 1127	Series C ISO 2037 BS 4825									
25	—	—	16	70	25	30,76	53	38,4	4 x Ø9	14	28 x 3,5
—	33,7	—	16	74	25	36,26	57	45,4	4 x Ø9	14	32 x 5
32	—	—	16	76	25	38,56	59	47,7	4 x Ø9	14	34 x 5
—	—	1 ½"	16	79	30	41,36	62	50,5	4 x Ø9	14	37 x 5
—	42,4	—	16	82	30	44,56	65	53,7	4 x Ø9	14	40,5 x 5
—	48,3	—	16	88	35	50,86	71	60,0	4 x Ø9	14	46,5 x 5
—	—	2"	16	92	35	54,36	75	63,5	4 x Ø9	14	50 x 5
50	—	—	16	94	35	56,56	77	65,7	4 x Ø9	16,3	52 x 5
—	60,3	—	16	103	35	62,86	85	72,0	4 x Ø9	16	58,5 x 5
—	—	2 ½"	16	107	35	66,76	89	75,9	8 x Ø9	18	62 x 5
65	—	—	16	113	35	72,56	95	81,7	8 x Ø9	16	68 x 5
—	76,1	—	16	125	35	78,26	104	88,4	8 x Ø11	20	73,5 x 5
—	—	3"	16	125	35	79,46	104	89,6	8 x Ø11	20	75 x 5
80	—	—	16	133	35	87,56	112	97,7	8 x Ø11	20	83 x 5