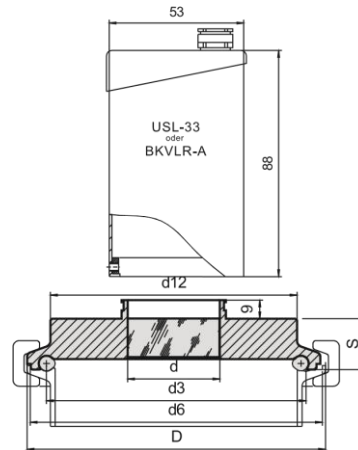


Type 85.USL33

METAGLAS® Sight Glass for aseptic clamp pipe connection DIN 11864-3 for luminaire type USL-33 or BKVLR-A (clamp sight glass with notch)



Advantages

- Security against total failure
- Sight glass and sealing profile correspond to recommendations of EHEDG (European Hygienic Equipment Design Group) and to ASME BPE (Bioprocessing Equipment)
- Flush seal against atmospheric side
- Suitable for CIP and SIP cleaning
- Complies with GMP for clean condition, cleaning, sterilization

Ring materials Operating temperature

1.4462	-30°C to +280°C
2.4602	-60°C to +300°C
2.4610	-60°C to +300°C

Applications

- Sterile duty fitting to DIN 11864 part 3 form A
- Version with raised lip for installation on recessed face sterile duty flange form A

Technical data

- Directive for pressure equipment 2014/68/EU, Module H (DIN/EN/ISO 9001)
- Materials to VdTÜV specifications and the DIN/EN designated standards
- Glass: Borosilicate to DIN 7080 / DIN 7079

Material certificates

- Certificate of conformity EN 10204-3.1 or 3.2

Sight glass light USL-33 or BKVLR A (non Ex)

- Supply voltage: 24 V AC or DC
- output: 20W (without built in push button)
50W (with built in push button)
- housing: stainless steel 1.4301 or similar
- operating time: more than 2.500 hours

Nominal size DN			max.operating pressure	D	d	d3	d6	d12	S	O-Ring
Series A DIN 11850	Series B ISO 1127	Series C ISO 2037 BS 4825								
25	–	–	16	50,5	24	30,90	38,3	42	17	28 x 3,5
32	–	–	16	50,5	24	38,65	47,6	42	14	34 x 5
–	–	1½"	16	64	30	41,45	50,4	54	14	37 x 5
40	–	–	16	64	30	44,65	53,6	54	17	40 x 5
–	42,4	–	16	64	30	45,05	54,0	54	14	40,5 x 5
–	48,3	–	16	64	30	50,95	59,9	54	14	46,5 x 5
–	–	2"	16	77,5	35	54,55	63,4	62	15	50 x 5
50	–	–	16	77,5	35	56,65	65,6	62	15	52 x 5
–	60,3	–	10	91	35	62,95	71,9	78	16	58,5 x 5
–	–	2½"	10	91	35	66,85	75,8	78	16	62 x 5
65	–	–	10	91	37	72,65	81,6	78	16	68 x 5
–	76,1	–	10	106	35	78,35	88,1	90,5	18	73,5 x 5
–	–	3"	10	106	35	79,55	89,5	90,5	18	75 x 5
80	–	–	10	106	35	87,65	97,6	90	18	83 x 5