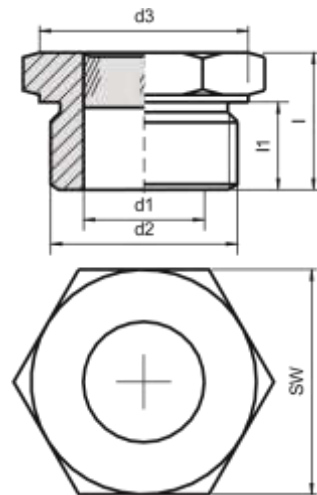


Type 61

METAGLAS Threaded Sight Glass – Hexagon Head



Applications

- Female connection with metric or Whitworth thread

Advantages

- Very compact
- High pressure resistance
- Simple assembly
- Long working time

Operating conditions

- Pressure: 50 bar
- Temperature: see table

Ring materials	Operating temperature
1.4462	-30°C to +280°C
2.4602	-60°C to +300°C

Technical data

- Manufactured and tested to:
- Directive for pressure equipment 97/23/EG 02/98, Module H (DIN/EN/ISO 9001)
- AD 2000 Standards W0/TRD 100
- Sight glass fused to metal conforming to DIN 7079
- Materials to VdTÜV specifications and the DIN/EN designated standards

Material certificates

- Certificate of Conformity to EN 10204-3.1 or 3.2 for extra costs

Materials

- Ring material: Carbon Steel (1.0570), Stainless Steel (1.4462) or Hastelloy C22
- Glass: Borosilicate to DIN7080 / DIN7079

Dimensions to DIN 3852

- Type F (Sealing with O-Ring)
-

d2 (Thread)		SW	d1	d3	l	l1
M-Thread	R- Thread					
M18 x 1,5		24	12,5	24	18	12
	G _{3/8} "	24	12	24	18	12
M20 x 1,5		27	13	27	18	12
	G _{1/2} "	27	13	27	19	12
M26 x 1,5		32	16	32	23	15
M27 x 2	G _{3/4} "	32	16	32	25	14
M33 x 2		41	22	41	25	16
	G1"	41	22	41	25	16
M42 x 2		50	26	50	27	18
	G1 _{1/4} "	50	25	50	27	18
M48 x 2		55	28	55	33	22
	G1 _{1/2} "	55	28	55	33	22
M60 x 2		70	35	70	37	19
	G2"	70	35	70	37	19
M78 x 2		90	50	88	37	22,5
	G2 _{1/2} "	90	50	88	37	22,5