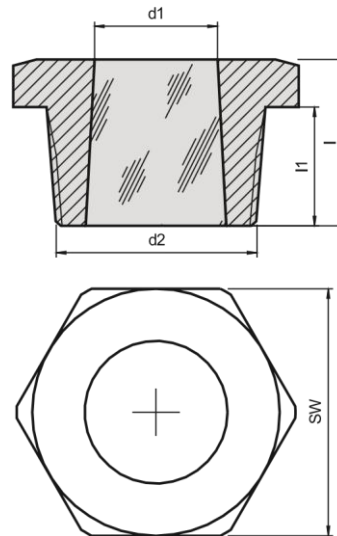


Type 62.NPT

METAGLAS® Threaded Sight Glass – NPT-Thread



Applications

- Female connection with NPT or NPTF-thread

Advantages

- Very compact
- High pressure resistance
- Simple assembly
- Long working time

Operating conditions

- Pressure: 100 bar
- Temperature: -30°C to +150°C

Technical data

Manufactured and tested to:

- Directive for pressure equipment 2014/68/EU, Module H (DIN/EN/ISO 9001)
- AD 2000 Standards W0/TRD 100
- Sight glass fused to metal similar to DIN 7079
- Materials to VdTÜV specifications and the DIN/EN designated standards

Materials

- Ring material: Carbon Steel 1.0570, Stainless Steel 1.4523
- Glass: Soda-lime glass to DIN 8902

Material certificates

- Certificate of Conformity to EN 10204-3.1

d2 (Thread)	SW	d1	l	l1
¼" NPT	21	8	17	11
⅜" NPT	24	10	20	13
½" NPT	27	12	25	15
¾" NPT	36	15	26	16
1" NPT	41	19	32	18
1¼" NPT	50	22	35	23
1½" NPT	55	25	32	20
2" NPT	70	35	33	27