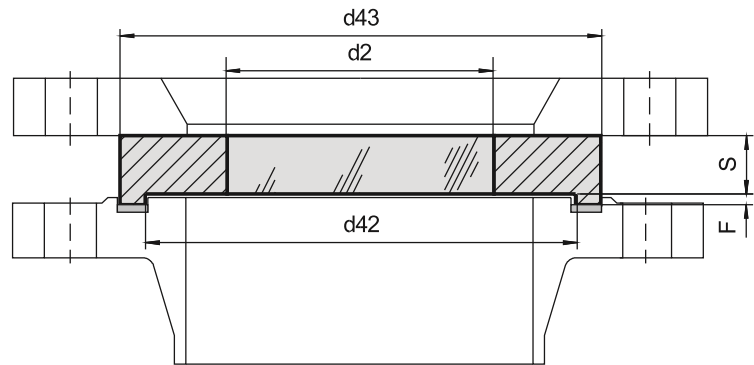
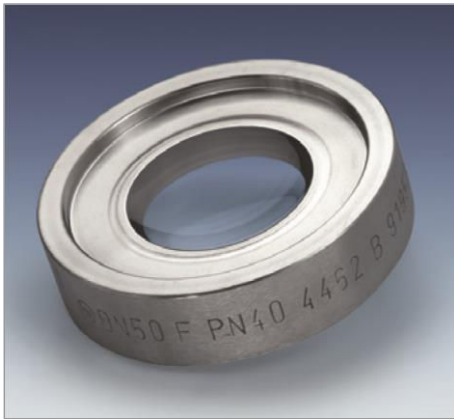


Type 74

METAGLAS® Sight Glass Discs with Tongue and Groove Joint



Applications

- Nozzles to DIN 28115 or 28025
- Weld neck flange DIN 2632 to 2636
- Flanges with tongue / groove based on DIN 2512

Advantages

- Security against total failure
- Simple, instruction free installation
- Long operating time

Approvals and technical data

Manufactured and tested in conformance with:

- Pressure Equipment Directive 2014/68/EU, Module H/H1
- (DIN/EN/ISO 9001)
- AD2000 Standards W0/TRD 100
- TÜV Approval
- Sight glass fused to metal conforming to DIN 7079
- Borosilicate glass to DIN 7080 / DIN 7079

Material certificates

- Certificate of Conformity EN 10204 – 3.1 or 3.2

Ring materials Operating temperature

1.0570	-10°C to +300°C
1.4462	-30°C to +280°C
2.4602	-60°C to +300°C
2.4605	-60°C to +300°C
2.4610	-60°C to +300°C

Nominal size	maximum pressure 16 bar		40 bar		Spring		
	d2	S	d2	S	d42	d43	F
40	35	10	35	15	61	75	4
50	45	13	45	17	73	87	4
65	60	13	60	20	95	109	4
80	63	15	63	20	106	120	4
100	70	20	70	25	129	149	4,5
125	80	20	80	30	155	175	4,5
150	100	25	100	30	183	203	4,5
200	125	30	–	–	239	259	4,5