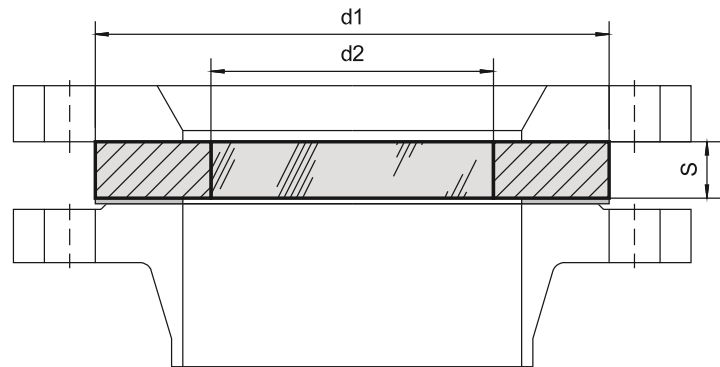
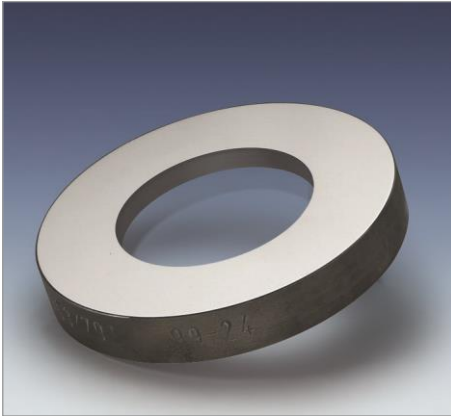


Type 76

METAGLAS® Sight Glass Discs for Welding Neck Flanges – Connection to DIN



Applications

As a replacement for conventional glasses in the following assemblies:

- Circular sight ports to DIN 28121
- Plus any other assemblies where the glass is of the same dimensions, e.g. weld neck flanges with flat or raised face

Operating conditions

- Temperature: -60°C to +300°C
- Pressure: Up to 40 bar (TÜV)
Higher pressures possible

Ring materials	Operating temperature
1.0570	-10°C to +300°C
1.4462	-30°C to +280°C
2.4602	-60°C to +300°C
2.4605	-60°C to +300°C
2.4610	-60°C to +300°C

Approvals and technical data

Manufactured and tested in conformance with:

- Pressure Equipment Directive 2014/68/EU, Module H/H1 (DIN/EN/ISO 9001)
- AD2000 Standards W0/TRD 100
- TÜV and Factory Mutual Approval*
- Sight glass fused to metal conforming to DIN 7079
- Borosilicate glass to DIN 7080 / DIN 7079

Advantages

- Reliability against total failure – the possibility of sudden unexpected rupture is totally excluded
- High resistance to bending and over-tightening offers simple and fast installation with no risk of breakage
- Extreme resistance to impact, pressure and temperature
- Reusable in the same or other applications – conventional glass is not available
- Wide acceptance in the European & American chemical industries

Material certificates

- Certificate of Conformity to EN 10204-3.1 or 3.2

Nominal size	maximum pressure			40 bar		
	16 bar			d1	d2	S
25	d1	d2	S	70*	30	15
32	70	30	10	82	40	15
40	82	40	12	92	45	20
50	92	45	15	107	50	20
65	107	50	15	127	70	25
80	127	70	15	142	75	25
100	142	75	20	162*	80	25
125	162	80	20	192*	100	30
150	192	100	20	218*	100	35
200	218	100	25	273*	120	40
	273	120	30			

*Approved dimensions and materials see www.metaglas.de