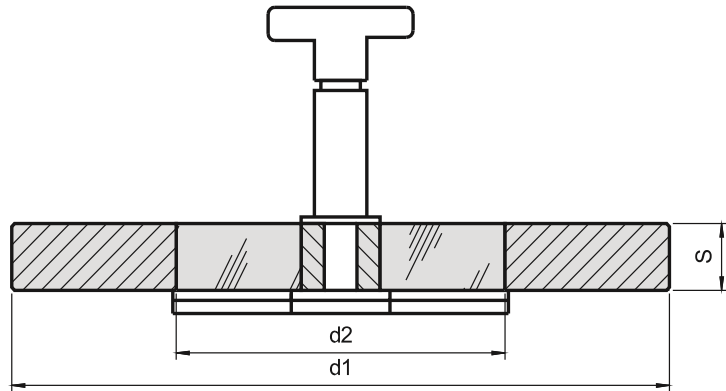


Type 73.SW

METAGLAS® Sight Glass Discs for Wiper



Applications

- Wipers may be used to prevent the crystallisation of media onto the glass and to remove dust and dirt.
- Centrally operated wipers are mounted through the sight glass disc on either DIN 28120 (DN 50 - 200), DIN 11851 (DN 65 - 125) or similar sight glasses

Advantages

- Security against total failure
- Simple installation
- Can be combined with sight glass luminaires
- Long operating time

Ring materials Operating temperature

1.0570	-10°C to +150°C
1.4462	-30°C to +150°C
2.4602	-60°C to +150°C
2.4605	-60°C to +150°C
2.4610	-60°C to +150°C

Approvals and technical data

Manufactured and tested in conformance with:

- Pressure Equipment Directive 2014/68/EU, Module H (DIN/EN/ISO 9001)
- AD2000 Standards W0/TRD 100
- Sight glass fused to metal conforming to DIN 7079
- PN10 to PN16, higher pressure ranges possible
- Max. operating temperature 150°C
- Ring materials: 1.4462, 2.6402, 2.4605, 2.4610 amongst others
- Gland material: 1.3912 (Alloy 36)
- Glass quality: Borosilicate to DIN 7080 / DIN 7079

Material certificates

- Certificate of Conformity to EN 10204-3.1 or 3.2

Technical data – wiper

- Wiper blades silicon rubber, PTFE, and others
- All product contact parts are of stainless steel
- O-Rings – VITON

DN	Diameter		Pressure rating 10 bar	Pressure rating 16 bar
	d1	d2	S	S
to DIN 28120				
40	80	45	12	12
50	100	55	15	15
80	125	65	15	20
100	150	70	20	25
125	175	80	20	25
150	200	100	25	30
200	250	120	30	30