



ATS valves are closure valves usually opened actuated by a fluid (air, water) and can be used for application in industrial automation.

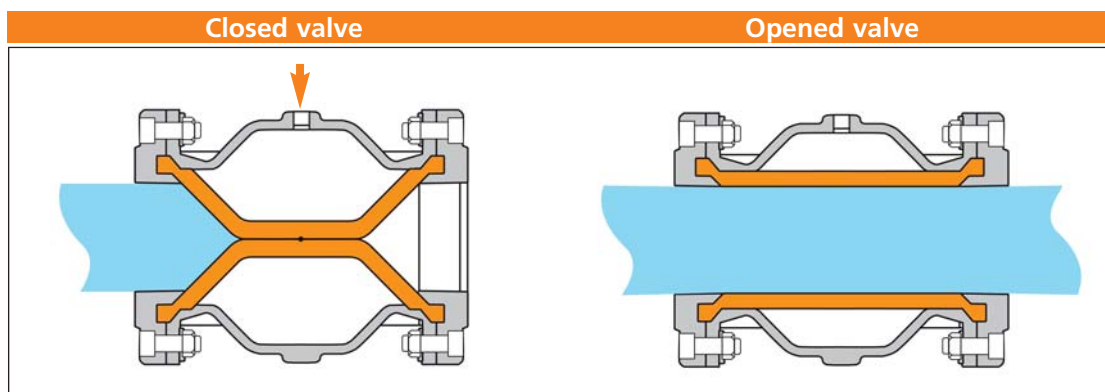
ATS valves can also be used as modulating valves, just changing the control pressure.

The extreme simplicity (only a moving element) makes this valve fitted for the interception in serious working conditions. The combination of the body, flanges and sleeves construction materials makes ATS valves fitted for applications in different fields. The fully free passage section guarantees no losses of charge.

The sleeve, made by a special elastomer, gives a high life activity. ATS sleeves are the product of a construction experience started in 1974.

The elastomer sleeve is the ATS valve most important component and, for this reason, we gave a particular attention to the mechanics features that define the life, the braking endurance and the return values to a very low control pressure. Inside the valve body there is an elastomer sleeve. Under the pressure of the control fluid, the sleeve is compressed till the complete passage section closure.

The watertight closure also occurs with fluid containing impurities, powders and granules.





ATS Pinch Valves

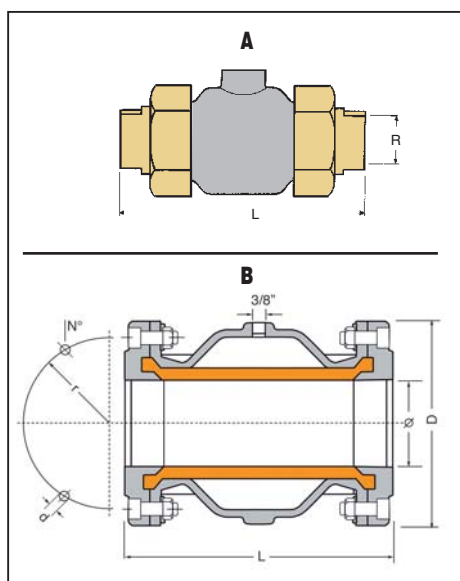
Technical features

- Contained weight and encumbrance
- Aluminium flanged version with smaller volume for reduction in working costs and intervention times in opening/closure.
- Body and flanges in aluminium or stainless steel
- Free straight passage without any losses of charge or blocks
- Absence of dead zones
- Sleeves made in high life elastomer
- Wide range of elastomers
- Sleeves made in elastomer FDA certified for use in food industries
- Sleeves in elastomer with electrical conductivity to be used in ATEX classified areas

- Can be used on dejection/vacuum pipings
- Fast opening and closure times
- No maintenance during working process
- Threaded or flanged connections
- Flanges with coating on product contact parts (silicon, fluorine polymers, steels)

Standard working conditions

- Maximum working pressure to intercept: 4 bar
- Control pressure: working pressure + 2 bar
- Action fluid: air, neutral gas, water
- Installation site: free



DN	L Aluminium	L Inox	∅	R	d	LK	D	N°	Type
20	140	140	20	3/4"	-	-	-	-	A
25	150	150	25	1"	-	-	-	-	A
32	202	-	32	1 1/4"	-	-	-	-	A
40	202	-	40	1 1/2"	-	-	-	-	A
50	184	-	50	2"	-	-	-	-	B
50Din	-	210	50	2"	-	-	-	-	B*
40	156	-	40	-	18	110	150	4	B
50	167	-	45	-	18	125	165	4	B
65	184	170	60	-	18	145	185	4	B
80	226	210	75	-	18	160	200	4	B
100	282	260	95	-	18	180	220	8	B
125	350	318	120	-	18	210	250	8	B
150	420	400	145	-	23	240	285	8	B
200	595	-	195	-	23	295	340	8	B

* DIN11851 F/F