

Lumistar Luminaire USL 07 LED-Ex



II 2G Ex db eb IIC T6 Gb
II 2D Ex tb IIIC T80°C Db

• For mounting on sight glass fittings:

This sight glass luminaire is designed for universal applications in potentially explosive operating areas and is ideal either in combined sight and light ports (single-flange version) or for separate ports (two-flange version).

• Compact design, powerful light output:

Glare-free illumination; fits circular sight glass fittings to DIN 28120/DIN 28121 or similar, screw-type sight glass fittings in compliance with DIN 11851, as well as visual flow indicator fittings.

• Generous light exit and optimised screwed lens aperture

• Application:

For illuminating the interiors of vessels, tanks, agitators, silos and other, generally closed, containers and reactors and also in visual flow indicators in potentially explosive environments. Suitable for use in the food processing industry.

• Protection class:

Dust-tight and water jet-proof,
IP 65 and IP 67 acc. to DIN EN 60529/DIN VDE 0470, part 1

• Operating conditions:

Independent of vacuum/pressure in the vessel.
Under no circumstances should a sight glass luminaire be used as a substitute for the cover flange or instead of the complete sight glass flange assembly, or on its own to close a vessel port.
Caution: Do not look into light – Danger of impaired eyesight!

• Lumistar luminaires USL 07 LED-Ex are approved for use in ambient temperatures of up to 60°C.

• Technical data - explosion protection:

This luminaire complies with the standard health and safety regulations by fulfilling the provisions for:

a) Gas and dust	
EN 60079-0: 2012 + A11:2013	General requirements
EN 60079-1: 2014	Flameproof encapsulation 'd'
EN 60079-7: 2015	Increased safety 'e'
EN 60079-31: 2014	Protection by enclosure 't'

• Certification:

EU type examination certificate BVS 16 ATEX E 106 X



II 2G Ex db eb IIC T6 Gb
II 2D Ex tb IIIC T80°C Db

• Voltage type:

AC/DC, depending on type of luminaire

• Operating voltage:

24 V AC/DC – 14 W
120-230 V AC – 14 W
Colour temperature: 5700 K
Luminous flux: 1150 lm

• Beam angle: 11° or 26°

CE 0158

3755.363 a



Lumistar luminaire USL 07 LED-Ex with terminal box

• Simple electrical connection by terminal box:

- Optional cable lengths
- Cable diameter: 8-15 mm

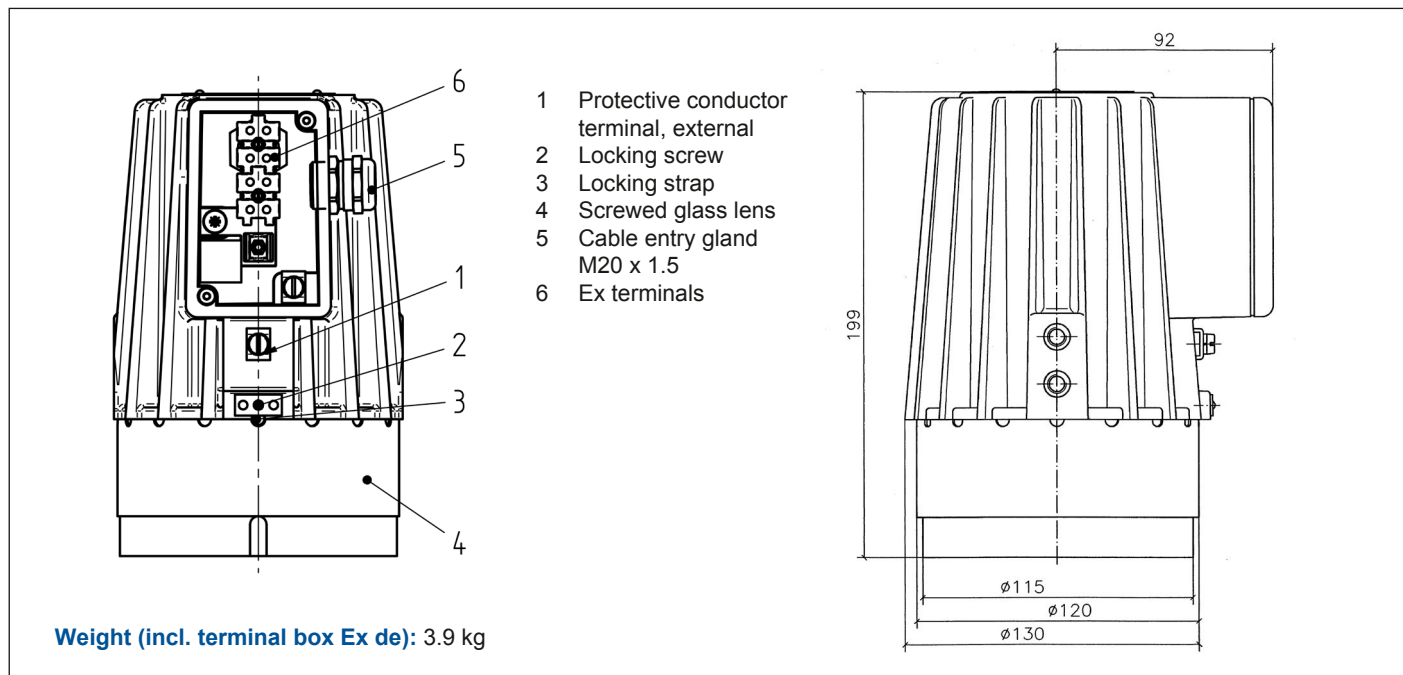
• Straightforward installation using special attachment:

The luminaire is mounted on the mating flange with the lamp attachment in the case of circular sight glass fittings and visual flow indicators. With screw-type sight glass fittings, the luminaire is fastened to the slotted nut.

• Lumistar luminaires USL 07 LED-Ex fit the following nominal sizes:

- a) Circular sight glass fitting acc. to DIN 28120: from DN 50
- b) Circular sight glass fitting acc. to DIN 28121: from DN 80
- c) Visual flow indicator: from DN 50
- d) Screw-type sight glass fitting in compliance with DIN 11851:
 - DN 100 and DN 125 are mounted using the separate flange adapter
 - DN 150 and larger are mounted using the lamp attachment

• **Dimensions and electrical data for Lumistar luminaire USL 07 LED-Ex:**



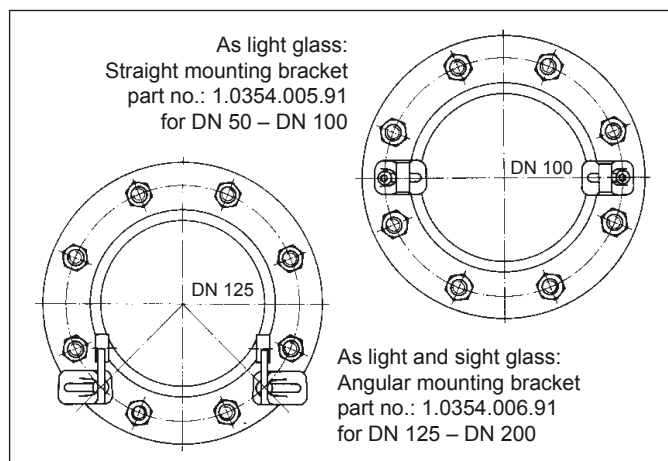
• **Connecting data: Assignment of temperature data and electrical parameters** (see also: EU type examination certificate)

USL 07 LED-Ex Variant	Part no.	Nominal voltage V	Illuminant	Beam angle	Ambient temperature range -20°C ≤ T _a ≤ +60°C	
(24 V) 14 W	3541.281.00	24 ≈	LED	11°	2G T6	2D T80°C
(120-230 V) 14 W	3541.282.00	120-230 ≈	LED	11°	2G T6	2D T80°C
(24 V) 14 W	3541.283.00	24 ≈	LED	26°	2G T6	2D T80°C
(120-230 V) 14 W	3541.284.00	120-230 ≈	LED	26°	2G T6	2D T80°C

• **Accessories:**

No.	Component	Part no.
1	Bracket, straight, for mounting luminaire DN 50 to 100	0354.005.00
2	Bracket, angled, for mounting luminaire DN 125 to 200	0354.006.00
3	Special spanner for screwed glass lens to open the luminaire	6805.002.00

• **Combination options:**



• **Order data:**

e.g. Lumistar luminaire USL 07 LED-Ex, 230 V/14 W,
 part no. 3541.282.00;
 with luminaire attachment, part no. 0354.005.00